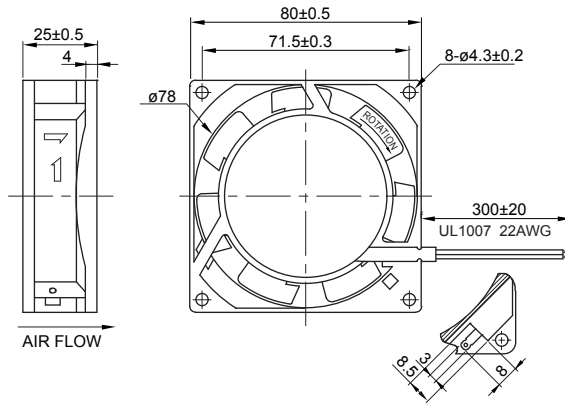
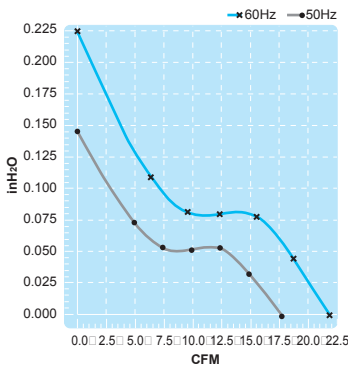


UF80B Series

Size: 80 x 80 x 25
Unit : mm



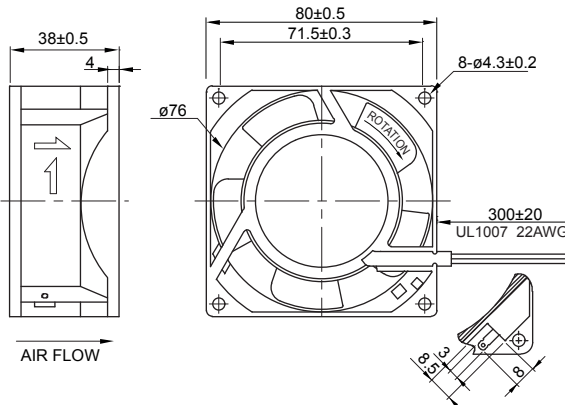
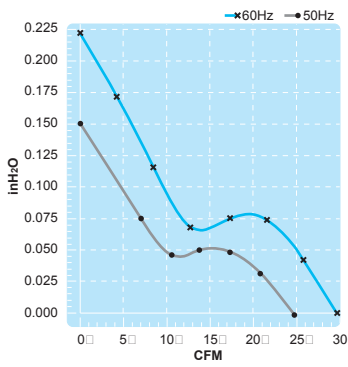
Terminal or Lead Wire Type

Impedance Protection

Spec. Model	Rated Voltage V	Frequency Hz	Input Power W	Rated Current A	Locked Current A	Speed RPM	Maximum Air Flow m ³ /min.	Maximum Air Flow CFM	Maximum Pressure mmH ₂ O	Maximum Pressure InchH ₂ O	Noise dB	Weight kg
UF80B10-H	100V	50/60	16/14	0.19/0.18	0.20/0.19	2600/3100	0.59/0.68	21/24	4.0/5.5	0.16/0.22	32/35	0.26
UF80B11-H	115V	50/60	14/11	0.15/0.12	0.16/0.13	2600/3100	0.59/0.68	21/24	4.0/5.5	0.16/0.22	32/35	0.26
UF80B20-H	200V	50/60	16/14	0.08/0.07	0.09/0.08	2600/3100	0.59/0.68	21/24	4.0/5.5	0.16/0.22	32/35	0.26
UF80B23-H	230V	50/60	16/14	0.08/0.07	0.09/0.08	2600/3100	0.59/0.68	21/24	4.0/5.5	0.16/0.22	32/35	0.26
UF80B11-L	115V	50/60	14/11	0.14/0.12	0.15/0.13	1900/2400	0.40/0.50	15/18	2.0/3.5	0.08/0.14	28/31	0.26
UF80B23-L	230V	50/60	16/14	0.07/0.06	0.08/0.07	1900/2400	0.40/0.50	15/18	2.0/3.5	0.08/0.14	28/31	0.26

UF80A Series

Size: 80 x 80 x 38
Unit : mm



Terminal or Lead Wire Type

Impedance Protection

Spec. Model	Rated Voltage V	Frequency Hz	Input Power W	Rated Current A	Locked Current A	Speed RPM	Maximum Air Flow m ³ /min.	Maximum Air Flow CFM	Maximum Pressure mmH ₂ O	Maximum Pressure InchH ₂ O	Noise dB	Weight kg
UF80A10-H	100V	50/60	14/12	0.14/0.12	0.15/0.14	2500/3000	0.68/0.83	24/30	4.0/5.5	0.16/0.22	32/36	0.28
UF80A11-H	115V	50/60	12/9	0.14/0.12	0.15/0.13	2500/3000	0.68/0.83	24/30	4.0/5.5	0.16/0.22	32/36	0.28
UF80A20-H	200V	50/60	14/12	0.07/0.06	0.08/0.07	2500/3000	0.68/0.83	24/30	4.0/5.5	0.16/0.22	32/36	0.28
UF80A23-H	230V	50/60	14/12	0.07/0.06	0.08/0.07	2500/3000	0.68/0.83	24/30	4.0/5.5	0.16/0.22	32/36	0.28
UF80A11-L	115V	50/60	12/9	0.12/0.10	0.13/0.11	1900/2400	0.55/0.70	20/25	2.5/4.0	0.10/0.16	28/32	0.28
UF80A23-L	230V	50/60	14/12	0.06/0.05	0.07/0.06	1900/2400	0.55/0.70	20/25	2.5/4.0	0.10/0.16	28/32	0.28